

## Description

The FIRE KILL™ low pressure, fine water spray system is a Fixed Fire Suppression System suitable for fire protection purposes in cable tunnels. The system is tested with both open deluge type nozzles and pendent automatic nozzles.



## Tests and Approvals

The FIRE KILL™ low pressure, fine water spray deluge system has been tested to prEN14972 Part 11. Based on the testing the system can protect but not limited to various applications such as:

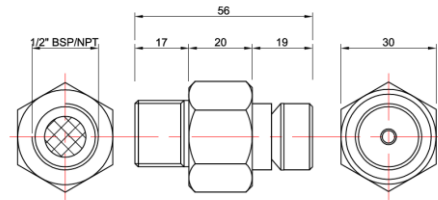
- Concealed or semi concealed cable tunnels with wind velocities up to 4,1 m/s.

The test is witness by DnVGL, accredited 3 party certification body.

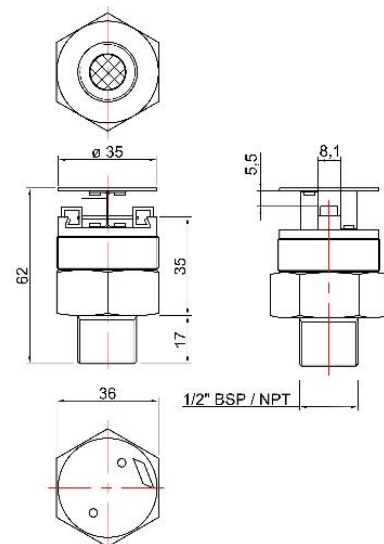
## Technical data

General Description	
Min. water pressure	8,0 Bar
Max. working pressure	16 Bar
Design run time	60:00 min
Specific Description CT-ODC1 Open pendent nozzles	
K-factor (metric)	13,4 (l/min@1 bar)
Drop size	DV90 < 300 µm
Weight	0.13 kg
Housing	Brass / SS316 /
Coating (Brass only)	NiSn
Strainer	Stainless Steel
Thread	½" BSP/BSP-T/NPT
Specific Description OH-DC1 Automatic pendent nozzles	
K-factor (metric)	13,4 (l/min@1 bar)
Drop size	DV90 < 300 µm
Weight	0.22 kg
Housing	Brass
Coating	NiSn
Strainer	Stainless Steel
Thread	½" BSP/BSP-T/NPT
Time Response Index	RTI < 50 Fast Response Class
Nominal release temperature	57°C
Other nominal release temperatures	68°C, 79°C, 93°C
Other products in the system	
Name	Model
Control valve CT-ODC1	C-EL 50 and C-EL 80
Control valve OH-DC1	WAC-40 / WAC-50
Nozzle guard OH-DC1	OH-RNG
Filter	Model F, DN 50 and DN80

### Dimension CT-ODC1



### Dimension OH-DC1

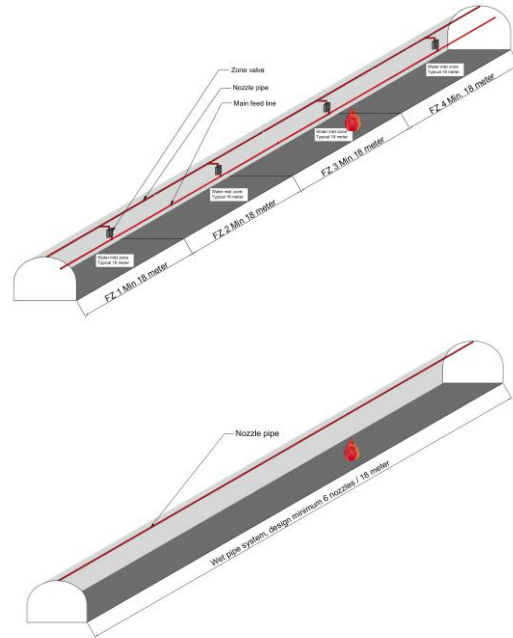


3rd party witness by



## Design data

Nozzle type CT-ODC1	
Nozzle position	Pendent
Fuel type	Cables
Max tested height	3,75 m
Max tested width	3,60 m
Max length	Unlimited
Max Spacing between nozzles	3,00 m
Min length of 1 zone	18,00 meter
Minimum number of zones	2
Nozzle type OH-DC1	
Nozzle position	Pendent
Fuel type	Cables
Max tested height	3,75 m
Max tested width	3,60 m
Max length	Unlimited
Max Spacing between nozzles	3,00 m
Max distance from ceiling	0,45 m
Min length of 1 zone	18,00 meter
Minimum number of nozzles	6



Water consumption using Nozzle CT-ODC1, open pendent nozzle shall be designed based on minimum 2 zones of 18 meter or more. It is however recommended to design with 3 zones.

Water consumption using Nozzle OH-DC1, automatic pendent nozzle shall be designed based on minimum 6 nozzles. If the spacing is less than 3 meter the length of the zone shall be minimum 18 meter, i.e. number of nozzles will be more than 6.

The above is valid for cable tunnels where the length is above 18 meter. For shorter tunnels, the entire length has to be used for design.

## Contact

For further information on FIRE KILL™ products, please contact our sales department at [Sales@vidaps.dk](mailto:Sales@vidaps.dk)