

## Description

The FIREKILL™ Low Pressure Water Mist Deck Nozzle Model 48 is low pressure water mist nozzle created specifically for the protection of maritime and off-shore decks. The concealed nozzle has been designed to be installed flush with the surrounding deck floor, and will elevate once pressure is applied to the connecting pipes. Maintenance of the nozzle can be done by dismantling the nozzle from the top.

The Model 48 comes in two versions: Type TD for installations from the top and down. Type DU for installation from below and up.



## Applications

The Model 48 Deck Nozzle has been designed specifically for the installation on maritime and off-shore decks. A variation of the Model 48 nozzles, Model 48H, has been designed for the protection of helicopter platforms.

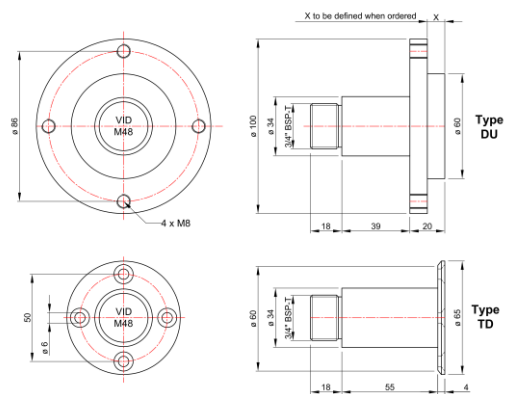
## Technical data

General Description	
Min. water pressure	2,0 Bar
Max. working pressure	16 Bar
Coverage	Max 5,0 to 6,0 m radius
Spray height at 6 bar	0,95 m
Specific Description	
K-factor (metric)	48 (l/min@1 bar)
Drop size	DV90 < 300 µm
Weight	0.50 kg
Material	SS316
Thread	3/4" BSP-T
Other products in the system	
<b>Name</b>	<b>Model</b>
Control valve	C-EL

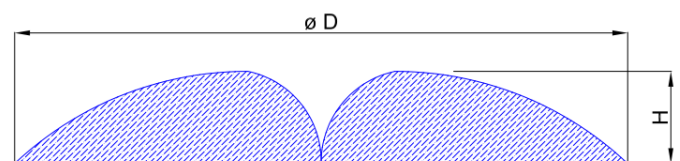
## Water distribution

Bar	l/min	h (m)	D (m)
2	68	0,8	8,4
3,5	89	0,9	10,3
5	105	0,95	10,5
6	117	0,95	10,6

## Dimension



## Spray pattern



## Installation

It is recommended that the Model 48 is installed into a stainless-steel pipe system, to limit galvanic corrosion. Should the nozzle be installed onto a carbon steel deck, protection in the form of a gasket between the deck and the nozzle is advised as to limit the effect of corrosion.

The nozzle cartridge is to be installed into the nozzle housing, once the housing has been installed into the deck, using the Model 48 Nozzle Spanner.

A lubricated gasket should be placed between the nozzle cartridge and the nozzle housing. The face of the nozzle should be flush with the deck.

After the installation the nozzles and the system should be checked by actuating the nozzles to make sure that they elevate from the deck correctly, that they distribute the water correctly and that they return to their original position correctly. It should be checked that the excess water drains properly from the nozzles and pipes.

In locations with an aptitude to frost, the nozzle pipes should be fitted an open drain, as to remove what water may have come from the deck and into the nozzles and as to drain what water there may be in the pipes after an actuation.

## Contact

For further information on FIREKILL™ products, please contact our sales department at [Sales@vidaps.dk](mailto:Sales@vidaps.dk)