

## Description

The **FIRE KILL™** Model OH-R2-TH are robust and easy to install rosettes designed to protect installed OH-nozzles and the surfaces of which they are installed into. The rosette is fixed to the nozzle through its internal threading.

The Model OH-R2-TH is made in stainless steel and can be supplied with its natural stainless-steel finish or with any RAL color finish. This allows the rosette and nozzle to easily blend into the surroundings.

The rosettes feature four fixation-holes to fix the rosette to its surrounding surface.



## Design and Installation

When flexible hoses are used, the rosette should be mounted to the nozzle prior to installation into the ceiling.

When the nozzles are fixed straight into the piping, the nozzle should be fitted prior to installing the rosette.

The Model OH-R2-TH is designed to cover installation holes, with a diameter of 45 mm to 50 mm.

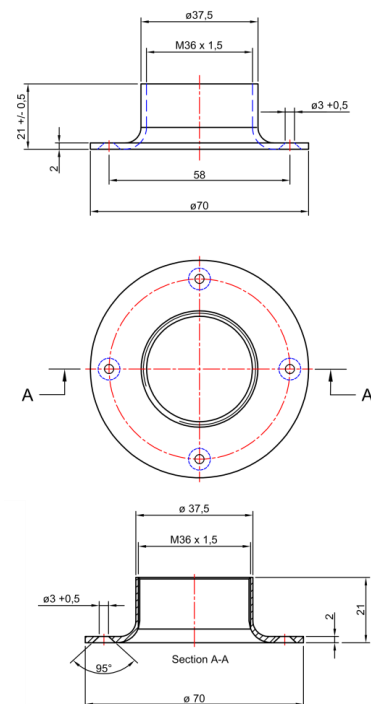
The rosette is to be fixed to the nozzle by use of its internal thread, which ensures, that the rosette is the correct distance from the Model OH-nozzles cover-plate.

The Model OH-R2-TH has been designed specifically for the Model OH-nozzles and should therefore not be used in protecting or covering nozzles not found in the Model OH-ranges.

## Technical data

General Description	
Material	SS 316
Weight	0,048 Kg
Standard finish	Natural RAL 9010
Other finish	Other RAL or printed
Related products	
Automatic nozzles	OH-Serie

## Dimension



## Contact

For further information on **FIRE KILL™** products, please contact our sales department at [Sales@vidaps.dk](mailto:Sales@vidaps.dk)